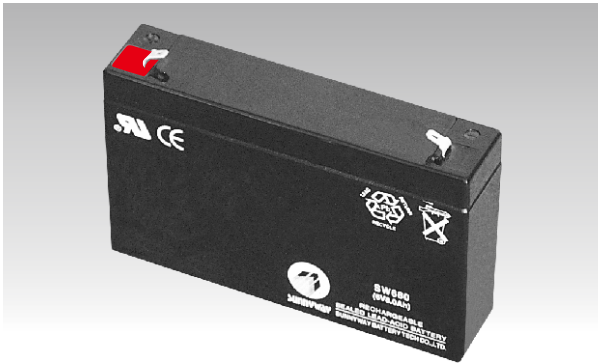
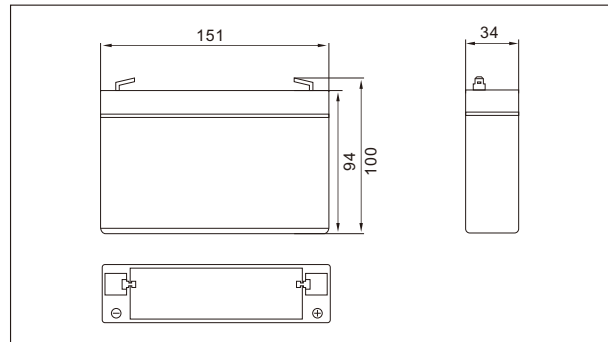




# SW680(6V8.0AH)



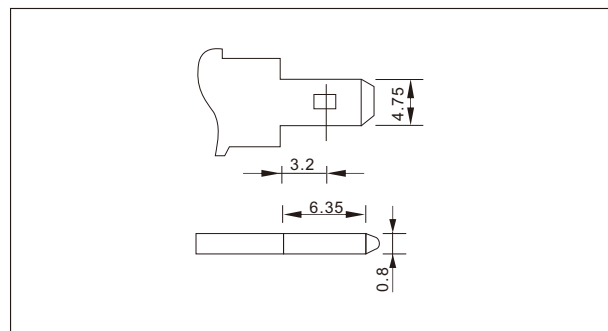
## Outer dimensions (mm)



## Specifications

Nominal Voltage	6 V	
Rated capacity (20 hour rate)	8.0 Ah	
Dimensions	Total Height	100 mm(3.94 inches)
	Height	94 mm(3.70 inches)
	Length	151 mm(5.94 inches)
	Width	34 mm(1.34 inches)
Weight Approx	1.15 Kg(2.53 lbs)	

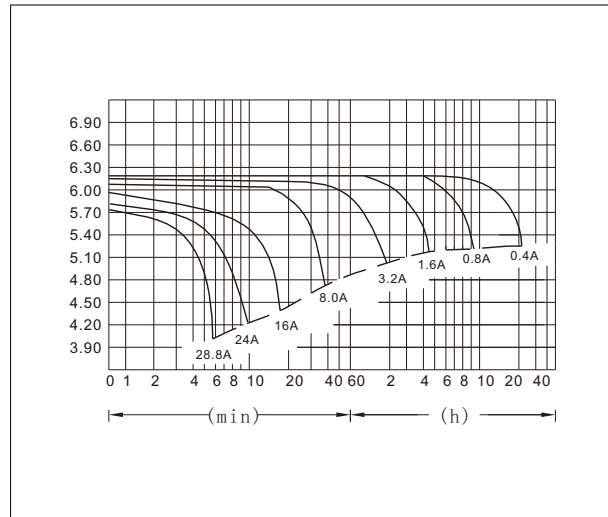
## Terminal Type (mm)



## Characteristics

Capacity 25°C(77°F)	20 hour rate(0.40A)	8.00 AH
	10 hour rate(0.74A)	7.40 AH
	5 hour rate(1.36A)	6.80 AH
	1 hour rate(4.80A)	4.80 AH
	1.5 hour discharge to 5.25 V	3.2 A
Internal Resistance	Full charged Battery at 25°C(77°F)	12 mΩ
Capacity affected by Temperature (20hour rate)	40°C(104°F)	102%
	25°C(77°F)	100%
	0°C(32°F)	85%
	-15°C(5°F)	65%
Self-Discharge at 25°C(77°F)	Capacity after 3 month storage	91%
	Capacity after 6 month storage	82%
	Capacity after 12 month storage	64%
Terminal	T1, T2	
Charge (constant Voltage)	Cycle	Initial Charging Current less than 3.20 A Voltage 7.05-7.20 V
	Float	Voltage 6.75-6.90 V

## Discharge Curves 25°C(77°F)



Constant Current(Amp) and Constant Power(Watt) Discharge Table at 25°C(77°F)

Time		5min	10min	15min	30min	1h	2h	3h	4h	5h	8h	10h	20h
4.80V	A	28.8	18.0	14.0	9.20	4.80	2.80	2.06	1.65	1.40	0.93	0.76	0.41
	W	169.8	106.7	80.7	48.8	27.7	16.2	11.9	9.6	8.1	5.4	4.40	2.40
5.10V	A	26.4	17.7	12.9	8.73	4.51	2.69	2.00	1.60	1.38	0.91	0.74	0.40
	W	159.8	105.0	75.8	48.5	26.0	15.6	11.6	9.3	8.00	5.3	4.3	2.33
5.25V	A	24.5	16.9	12.0	8.47	4.36	2.63	1.97	1.52	1.36	0.90	0.74	0.40
	W	154.3	98.0	72.5	48.0	25.2	15.3	11.4	8.8	7.9	5.2	4.3	2.32
5.40V	A	22.3	16.1	11.2	8.08	4.21	2.57	1.93	1.49	1.30	0.88	0.72	0.39
	W	147.3	95.0	69.8	47.8	24.5	14.9	11.3	8.7	7.6	5.0	4.2	2.27
5.55V	A	19.3	15.2	10.4	7.52	4.07	2.50	1.83	1.47	1.24	0.85	0.70	0.38
	W	114.8	91.8	66.5	47.5	24.2	14.8	10.9	8.7	7.4	4.8	4.1	2.25