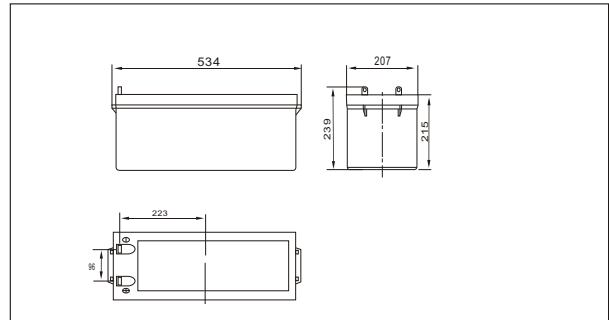




SW121800E(12V180AH)



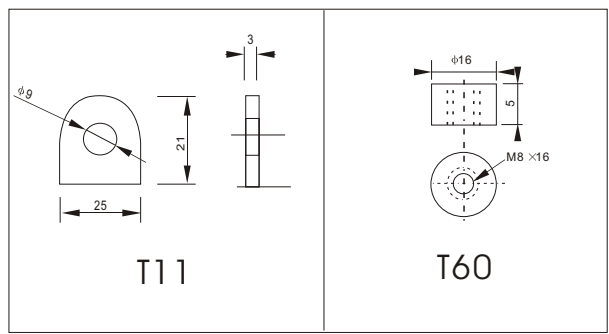
Outer dimensions (mm)



Specifications

Nominal Voltage		12V
Rated capacity (10hour rate)		180 Ah
Dimensions	Total Height	239 mm (9.41 inches)
	Height	215mm (8.46inches)
	Length	534 mm (21.02 inches)
	Width	207 mm (8.15 inches)
Weight Approx		53Kg (116.8 lbs)

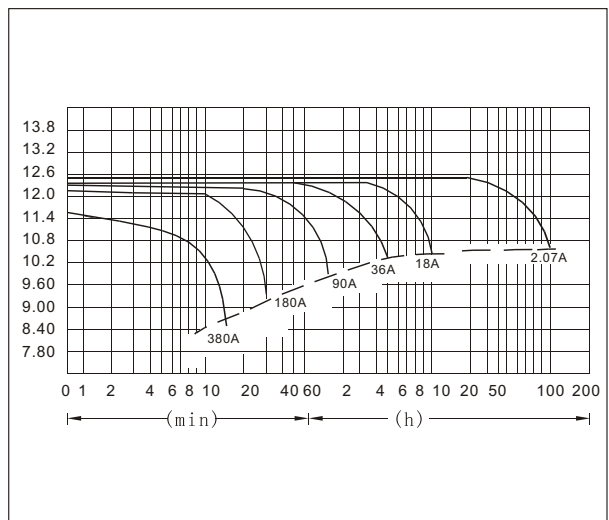
Terminal Type (mm)



Characteristics

Capacity 25°C(77°F)	10 hour rate(18 A)	180 AH
	5 hour rate(28.8A)	144 AH
	1 hour rate(99.0A)	99.0 AH
Internal Resistance	1.5 hour discharge to 10.5V	72 A
	Full charged Battery at 25°C(77°F)	4.5 mΩ
Capacity affected by Temperature (10hour rate)	40°C(104°F)	102%
	25°C(77°F)	100%
	0°C(32°F)	85%
	-15°C(5°F)	65%
Self-Discharge at 25°C(77°F)	Capacity after 3 month storage	91%
	Capacity after 6 month storage	82%
	Capacity after 12 month storage	64%
Terminal	T11, T60	
Charge (constant Voltage)	Cycle	Initial Charging Current less than 45 A Voltage 14.10-14.40V
	Float	Voltage 13.50-13.80V

Discharge Curves 25°C(77°F)



Constant Current(Amp) and Constant Power(Watt) Discharge Table at 25°C(77°F)

Time	10min	30min	1h	3h	4h	5h	8h	10h	20h	50h	100h	
9.60V	A	380	205	108	46.3	36.0	29.7	20.9	18.9	10.21	4.25	2.18
	W	4218	2198	1251	536	417	344	242	219	118.2	50.6	25.9
10.20V	A	369	200	101.5	45.0	35.1	29.2	20.5	18.4	9.95	4.10	2.12
	W	4056	2178	1176	521	406	338	237	213	115.3	48.8	25.2
10.50V	A	353	190	98	43.9	34.6	28.8	20.3	18.0	9.83	4.03	2.07
	W	3931	2056	1138	509	400	334	236	211	113.8	48.1	24.7
10.80V	A	329	184	95	42.8	34.0	28.1	19.8	17.6	9.72	3.96	2.05
	W	3778	1978	1088	499	392	327	230	210	113.1	47.2	24.5
11.10V	A	302	169	89	41.4	33.0	27.4	19.3	17.10	9.23	3.89	1.98
	W	3713	1962	1060	493	390	326	229	203	109.9	46.3	23.6