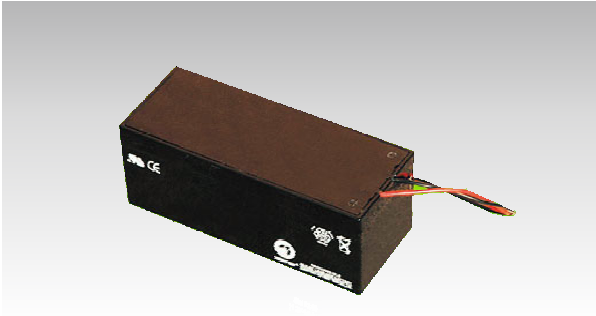
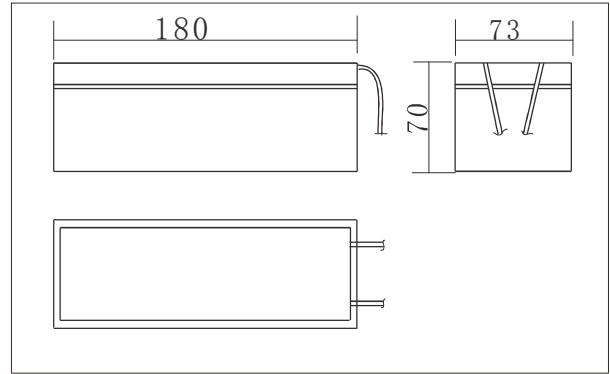




SW2424(24V2.4AH)



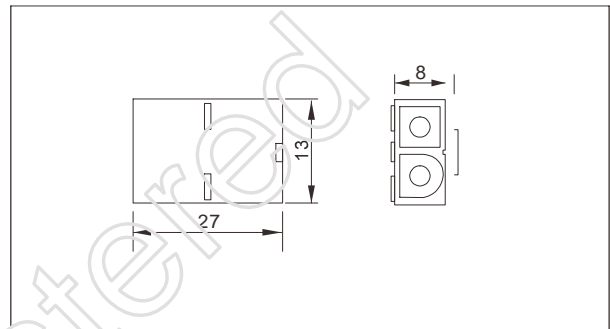
Outer dimensions (mm)



Specifications

Nominal Voltage		24V
Rated capacity (20 hour rate)		2.4Ah
Dimensions	Total Height	70mm (2.76 inches)
	Height	70mm (2.76 inches)
	Length	180mm (7.09 inches)
	Width	73mm (2.87 inches)
Weight Approx		2.3Kg (5.07 lbs)

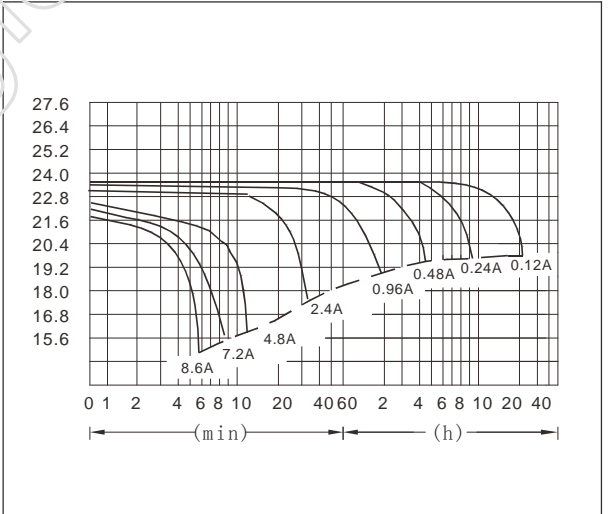
Terminal Type (mm)



Characteristics

Capacity 25°C(77°F)	20 hour rate(0.12 A)	2.40 AH
	10 hour rate(0.22 A)	2.20 AH
	5 hour rate(0.40 A)	2.00 AH
	1 hour rate(1.44 A)	1.44 AH
	1.5 hour discharge to 21.0V	0.96 A
Internal Resistance	Full charged Battery at 25°C(77°F)	120 mΩ
Capacity affected by Temperature (20hour rate)	40°C(104°F)	102%
	25°C(77°F)	100%
	0°C(32°F)	85%
	-15°C(5°F)	65%
Self-Discharge at 25°C(77°F)	Capacity after 3 month storage	91%
	Capacity after 6 month storage	82%
	Capacity after 12 month storage	64%
Terminal		TW10
Charge (constant Voltage)	Cycle	Initial Charging Current less than 1.40A Voltage 28.2-28.8V
	Float	Voltage 27-27.6V

Discharge Curves 25°C(77°F)



Time		5min	10min	15min	30min	1h	2h	3h	4h	5h	8h	10h	20h
19.20V	A	8.64	5.41	4.20	2.76	1.44	0.84	0.62	0.50	0.42	0.28	0.23	0.12
	W	183.17	115.33	89.88	59.62	31.39	18.31	13.60	10.91	9.26	6.17	5.04	2.78
20.40V	A	7.92	5.30	3.86	2.62	1.35	0.81	0.60	0.48	0.41	0.27	2.23	0.12
	W	175.03	117.66	86.08	58.95	30.42	18.22	13.56	10.90	9.38	6.20	50.62	2.75
21.00V	A	7.35	5.06	3.60	2.54	1.31	0.79	0.59	0.46	0.41	0.27	0.22	0.12
	W	164.53	113.94	81.36	57.91	29.82	18.09	13.51	10.49	9.45	6.21	5.08	2.76
21.60V	A	6.69	4.84	3.36	2.42	1.26	0.77	0.58	0.45	0.39	0.26	0.21	0.12
	W	151.82	110.35	76.94	55.99	29.20	17.79	13.46	10.44	9.09	6.13	5.01	2.73
22.20V	A	5.78	4.56	3.12	2.26	1.22	0.75	0.55	0.44	0.37	0.26	0.21	0.11
	W	133.03	105.34	72.38	52.79	28.55	17.55	12.93	10.38	8.80	6.04	4.96	2.69