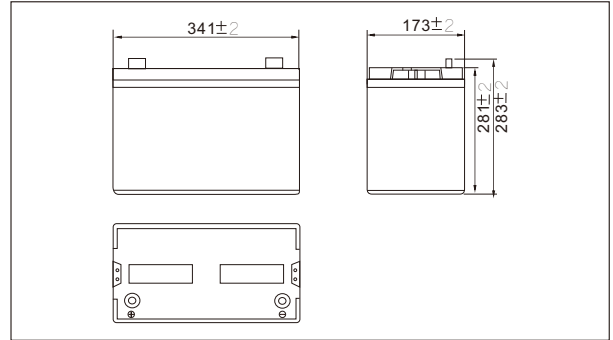




# SW121340E(12V134AH)



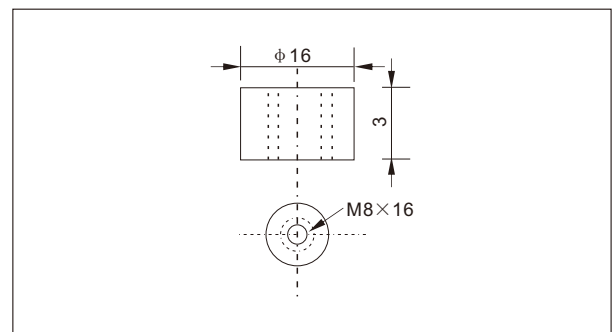
### ● Outer dimensions (mm)



### ● Specifications

Nominal Voltage		12 V
Rated capacity (10 hour rate)		134 Ah
Dimensions	Total Height	341 mm (13.4 inches)
	Height	173 mm (6.81 inches)
	Length	281 mm (11.06 inches)
	Width	283mm (11.14 inches)
Weight Approx		41 Kg (92.4 lbs)

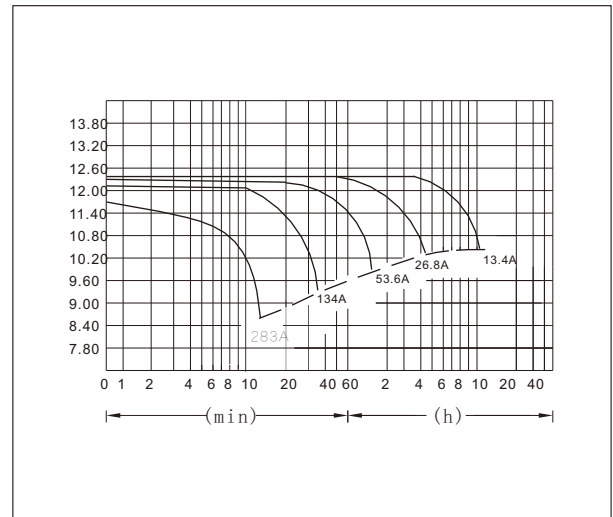
### ● Terminal Type (mm)



### ● Characteristics

Capacity 25°C(77°F)	10 hour rate(13.4 A)	134 AH
	5 hour rate(21.4 A)	107AH
	1 hour rate(80.4 A)	80.4AH
	1.5 hour discharge to 10.50 V	53.6 A
Internal Resistance	Full charged Battery at 25°C(77°F)	3.8 mΩ
Capacity affected by Temperature (20hour rate)	40°C(104°F)	102%
	25°C(77°F)	100%
	0°C(32°F)	85%
	-15°C(5°F)	65%
Self-Discharge at 25°C(77°F)	Capacity after 3 month storage	91%
	Capacity after 6 month storage	82%
	Capacity after 12 month storage	64%
Terminal	T19	
Charge (constant Voltage)	Cycle	Initial Charging Current less than 53.6 A Voltage 14.1-14.40V
	Float	Voltage 13.5-13.80V

### ● Discharge Curves 25°C(77°F)



**Constant Current(Amp) and Constant Power(Watt) Discharge Table at 25°C(77°F)**

Time	5min	10min	15min	30min	1h	2h	3h	4h	5h	8h	10h	20h
9.60V	A	429	283	228	153	80.4	46.9	34.4	26.8	22.1	15.7	7.60
	W	4429	3020	2444	1642	868	515	383	302	251	180	88.3
10.20V	A	416	255	215	146	75.6	44.8	33.5	26.1	21.7	15.3	7.37
	W	4439	2849	2402	1640	855	516	388	304	253	179	86.5
10.50V	A	402	228	188	137	73.2	43.7	32.7	25.7	21.4	15.1	7.37
	W	4391	2596	2142	1573	847	507	381	301	251	178	87.1
10.80V	A	388	215	174	126	70.8	42.6	31.9	25.3	20.9	14.7	7.24
	W	4348	2480	2010	1459	824	499	376	299	247	175	86.2
11.10V	A	375	202	161	113	68.3	41.5	30.8	24.7	20.4	14.3	6.83
	W	4247	2334	1875	1317	804	491	366	294	243	172	82.8