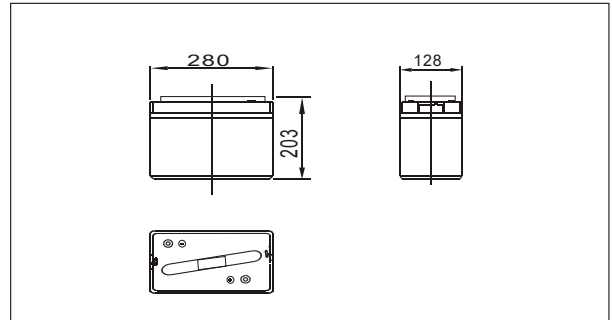




SW61050(6V105AH)



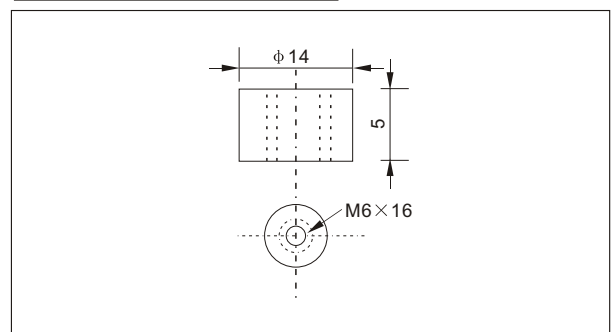
Outer dimensions (mm)



Specifications

Nominal Voltage		6V
Rated capacity (10hour rate)		105 Ah
Dimensions	Total Height	203 mm (7.99 inches)
	Height	203 mm (7.99 inches)
	Length	280 mm (11.02 inches)
	Width	128mm (5.03 inches)
Weight Approx		19Kg (41.80 lbs)

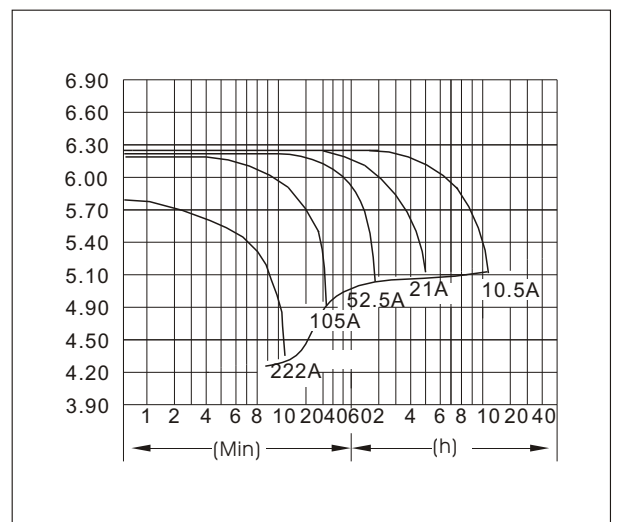
Terminal Type (mm)



Characteristics

Capacity 25°C(77°F)	10 hour rate(10.5A) 5 hour rate(16.8A) 1 hour rate(63A)	105 AH 84 AH 63 AH
Internal Resistance	Full charged Battery at 25°C(77°F)	Approx 2.1 mΩ
Capacity affected by Temperature (10hour rate)	40°C(104°F) 25°C(77°F) 0°C(32°F) -15°C(5°F)	102% 100% 85% 65%
Self-Discharge at 25°C(77°F)	Capacity after 3 month storage Capacity after 6 month storage Capacity after 12 month storage	91% 82% 64%
Terminal	T16	
Charge (constant Voltage)	Cycle	Initial Charging Current less than 42 A Voltage 7.05-7.2V
	Float	Voltage 6.75-6.90V

Discharge Curves 25°C(77°F)



Constant Current(Amp) and Constant Power(Watt) Discharge Table at 25°C(77°F)

Time		5min	10min	15min	30min	1h	2h	3h	4h	5h	8h	10h	20h
4.80V	A	336	222	179	120	63	37	27	21.0	17.3	12.3	11.0	6.0
	W	1735	1183	958	644	340	202	150	118.1	98.5	70.4	63.7	34.6
5.10V	A	326	200	168	114	59	35	26	20.5	17.0	12.0	10.8	5.8
	W	1739	1116	941	642	335	202	152	119.0	99.2	70.0	63.5	33.9
5.25V	A	315	179	147	107	57	34	26	20.2	16.8	11.9	10.6	5.8
	W	1720	1017	839	616	332	198	149	117.9	98.5	69.8	62.7	34.1
5.40V	A	304	169	137	99	55	33	25	19.8	16.4	11.6	10.5	5.7
	W	1704	972	787	572	323	196	147	117.2	96.8	68.4	62.4	33.8
5.55V	A	293	158	126	88	54	33	24	19.3	16.0	11.2	10.0	5.4
	W	1664	914	735	516	315	192	143	115.1	95.2	67.3	60.2	32.5