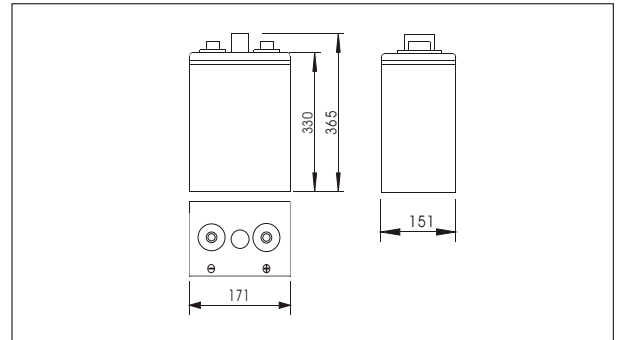




SW22500E(2V250AH)



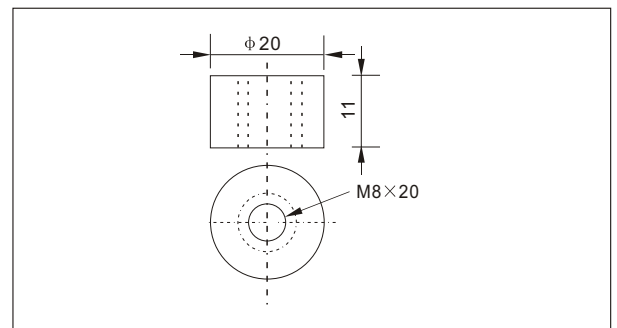
Outer dimensions (mm)



Specifications

Nominal Voltage		2 V
Rated capacity (10 hour rate)		250 Ah
Dimensions	Total Height	365 mm (14.4inches)
	Height	330 mm (13.0 inches)
	Length	171 mm (6.73inches)
	Width	151 mm (5.94inches)
Weight Approx		18.2 Kg (40)

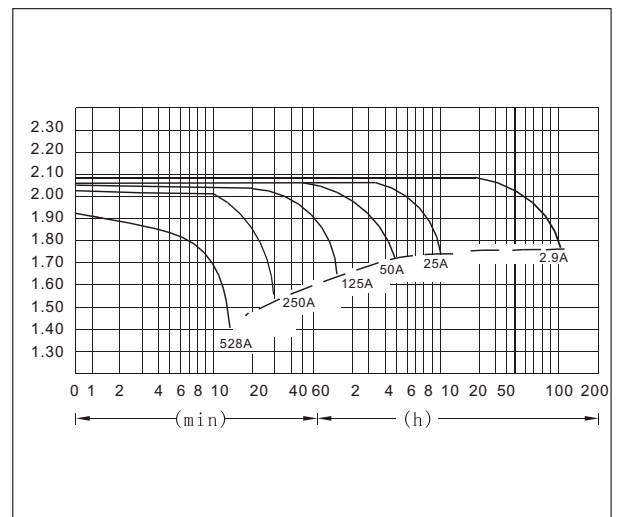
Terminal Type (mm)



Characteristics

Capacity 25°C(77°F)	10 hour rate(25 A)	250 AH
	5 hour rate(40A)	200 AH
	1 hour rate(138 A)	138 AH
	1.5 hour discharge to 1.75 V	100 A
Internal Resistance	Full charged Battery at 25°C(77°F)	1.5mΩ
Capacity affected by Temperature (10hour rate)	40°C(104°F)	102%
	25°C(77°F)	100%
	0°C(32°F)	85%
	-15°C(5°F)	65%
Self-Discharge at 25°C(77°F)	Capacity after 3 month storage	91%
	Capacity after 6 month storage	82%
	Capacity after 12 month storage	64%
Terminal		T20
Charge (constant Voltage)	Cycle	Initial Charging Current less than 6.5 A Voltage 2.35-2.40V
	Float	Voltage 2.25-2.30V

Discharge Curves 25°C(77°F)



Constant Current(Amp) and Constant Power(Watt) Discharge Table at 25°C(77°F)

Time		10min	30min	1h	3h	4h	5h	8h	10h	20h	50h	100h
1.60V	A	528	285	150	64.3	50.0	41.3	29.1	26.3	14.18	5.9	3.0
	W	976	509	290	124	97	80	56	51	27.4	11.7	6.0
1.70V	A	513	278	141.0	62.5	48.8	40.5	28.5	25.6	13.83	5.7	3.0
	W	939	504	272	121	94	78	55	49	26.7	11.3	5.8
1.75V	A	490	264	137	61.0	48.0	40.0	28.3	25.0	13.65	5.6	2.9
	W	910	476	263	118	93	77	55	49	26.3	11.1	5.7
1.80V	A	458	255	132	59.5	47.3	39.0	27.5	24.4	13.50	5.5	2.9
	W	875	458	252	115	91	76	53	49	26.2	10.9	5.7
1.85V	A	420	235	124	57.5	45.8	38.0	26.8	23.75	12.83	5.4	2.8
	W	860	454	245	114	90	75	53	47	25.4	10.7	5.5