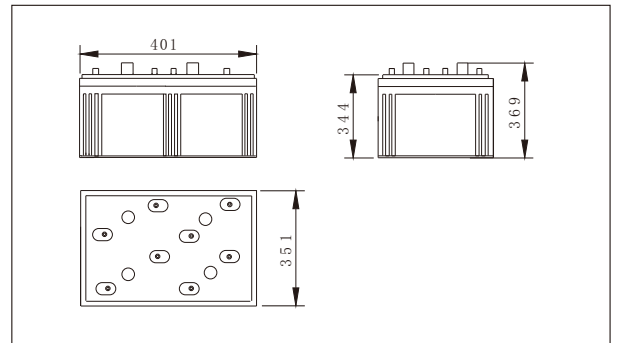




SW215000(2V1500AH)



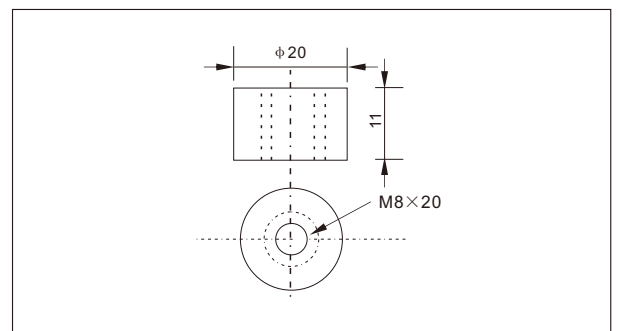
Outer dimensions (mm)



Specifications

Nominal Voltage		2 V
Rated capacity (10 hour rate)		1500 Ah
Dimensions	Total Height	369 mm (14.5 inches)
	Height	342 mm (13.5 inches)
	Length	401 mm (15.8 inches)
	Width	351 mm (13.8 inches)
Weight Approx		100Kg(222.0 lbs)

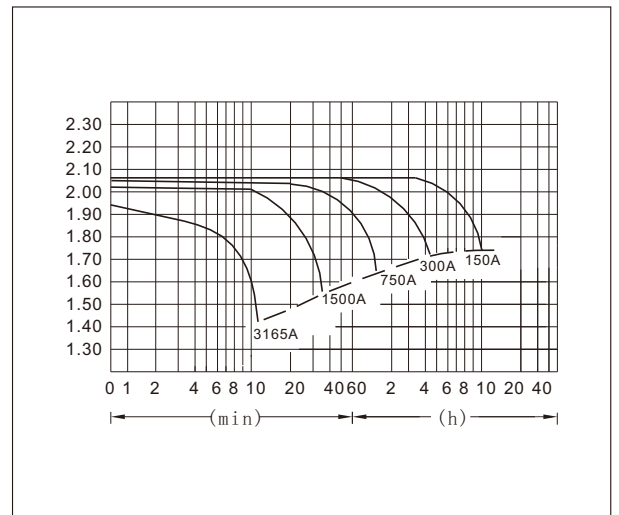
Terminal Type (mm)



Characteristics

Capacity 25°C(77°F)	10 hour rate(150 A)	1500 AH
	5 hour rate(240 A)	1200 AH
	1 hour rate(900 A)	900AH
	1.5 hour discharge to 1.75 V	600 A
Internal Resistance	Full charged Battery at 25°C(77°F)	0.3 mΩ
Capacity affected by Temperature (10hour rate)	40°C(104°F)	102%
	25°C(77°F)	100%
	0°C(32°F)	85%
	-15°C(5°F)	65%
Self-Discharge at 25°C(77°F)	Capacity after 3 month storage	91%
	Capacity after 6 month storage	82%
	Capacity after 12 month storage	64%
Terminal	T20	
Charge (constant Voltage)	Cycle	Initial Charging Current less than600 A Voltage 2.35-2.40V
	Float	Voltage 2.25-2.30V

Discharge Curves 25°C(77°F)



Constant Current(Amp) and Constant Power(Watt) Discharge Table at 25°C(77°F)

Time		10min	30min	1h	2h	3h	4h	5h	8h	10h	20h
9.60V	A	3165.0	1710.0	900.0	525.0	387.0	300.0	248.1	173.7	165.0	85.5
	W	5865	3060	1740	1020	750	585.0	480.0	330.0	307.5	163.4
10.20V	A	2850.0	1665.0	846.0	501.0	375.0	292.5	243.1	170.6	155.3	84.0
	W	5640	3030	1635	960	720	570.0	465.0	330.0	292.5	160.5
10.50V	A	2700.0	1530.0	825.0	489.0	366.0	288.0	240.0	168.8	153.0	83.0
	W	5460	2850	1575	945	705	555.0	459.0	325.5	289.5	157.5
10.80V	A	2550.0	1410.0	795.0	477.0	357.0	283.5	234.0	164.4	150.0	81.9
	W	5250	2745	1515	930	690	543.0	450.0	315.0	288.0	156.0
11.10V	A	2400.0	1260.0	750.0	465.0	345.0	275.0	228.0	160.0	146.3	81.0
	W	4950	2520	1470	915	690	532.5	447.0	301.5	285.0	153.8